

## **AUTOMOTIVE ELECTRICAL & ELECTRONICS**

## About Us

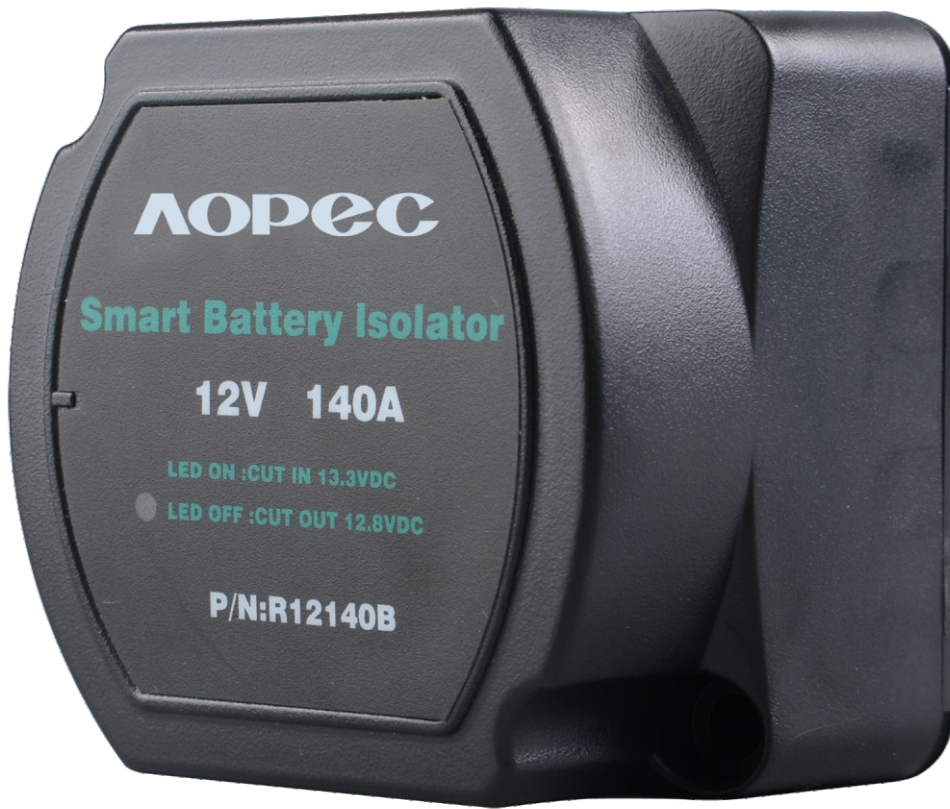
Aopec is your trustworthy aftermarket supplier and brand partner from China, through its extensive supply chain, complete QC processing and expertise service team!

Aopec is a premium manufacturer both in direct investment and joint ventures for Automotive Electrics in China, since the year of 2002. We are the qualified OE supplier to some car makers and several big brands. TS standardized QC control with the lean manufacturing process makes us a reliable partner with the customers on design, quality, delivery and services.

Aopec is carrying a big range of aftermarket parts, with more than 500 selected suppliers to cooperate and 30 categories, we are providing the one-stop solutions and capable to protect the customers' business properties from IP, Patent Packages, Distribution Network, etc. We are taking the active commercial insurance to cover the customers' concerns and expanding to supply more and more onsite services through the local team in the different countries.

Our SOP (Special Program Management) offers a better solution for different demands and different markets.





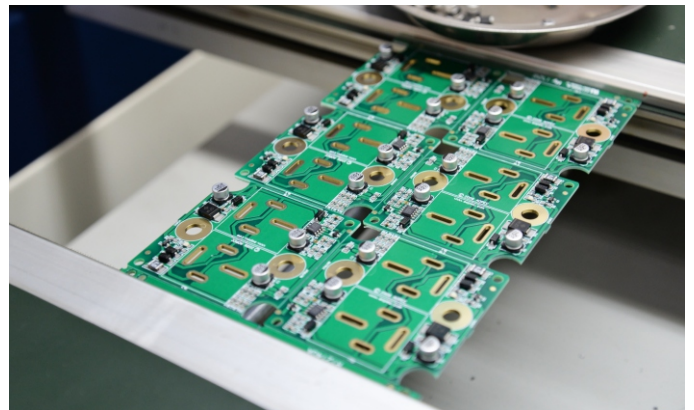
Aftermarket- The range includes Automotive Relays, Automotive Flashers, Smart Battery Isolators, Battery Chargers, Sockets.



# AOPEC

[www.aopec.com](http://www.aopec.com)

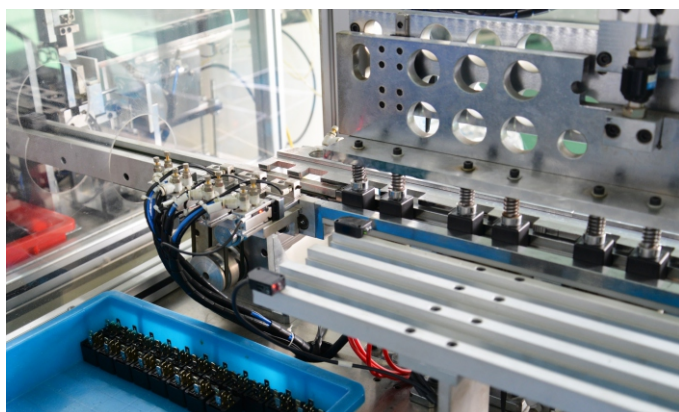
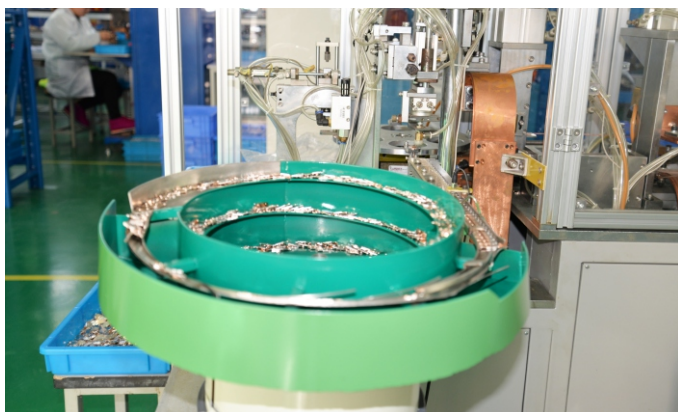
We stand behind our products and strive to provide the optimal customer experience.  
100% tested and inspected prior to shipment.

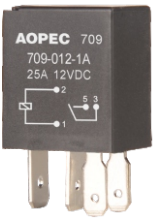
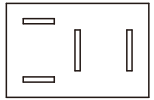
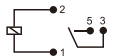



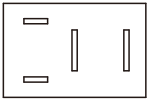
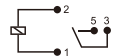
[www.aopec.com](http://www.aopec.com)



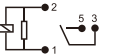


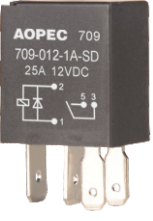

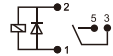
Continuous new product development plan to meet the growing market demand.



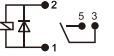



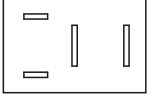
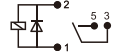
 	Type	AR100001
	Rated Current	25A
	Rated Voltage	12V
	Number of Pins	4P
	Function	Normally open
	Resistor	X
	Diode	X
	Mounting bracket	X
	Details	X
	OE	BOSCH 0 332 017 103 VOLVO 29 200 006
Wiring Diagram		




 	Type	AR100002
	Rated Current	25A
	Rated Voltage	12V
	Number of Pins	4P
	Function	Normally open
	Resistor	X
	Diode	X
	Mounting bracket	X
	Details	2.8mm Version
	OE	
Wiring Diagram		




 	Type	AR100003
	Rated Current	25A
	Rated Voltage	12V
	Number of Pins	4P
	Function	Normally open
	Resistor	✓
	Diode	X
	Mounting bracket	X
	Details	X
	OE	BOSCH 0 332 011 007 BOSCH 0 986 AH0 300 HELLA 4RA 007 813-011
Wiring Diagram		

 	Type	AR100004
	Rated Current	25A
	Rated Voltage	12V
	Number of Pins	4P
	Function	Normally open
	Resistor	X
	Diode	✓
	Mounting bracket	X
	Details	Sealed
	OE	RENAULT 8200 263 342
Wiring Diagram		



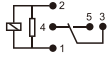
 	Type	AR100005
	Rated Current	25A
	Rated Voltage	12V
	Number of Pins	4P
	Function	Normally open
	Resistor	X
	Diode	✓
	Mounting bracket	X
	Details	2.8mm Version
	OE	
Wiring Diagram		



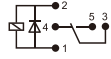
 	Type	AR100006
	Rated Current	25A
	Rated Voltage	12V
	Number of Pins	4P
	Function	Normally open
	Resistor	X
	Diode	✓
	Mounting bracket	X
	Details	Sealed 2.8mm Version
	OE	RENAULT 8200 263 342
Wiring Diagram		

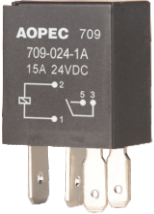

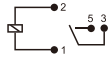
 	Type	AR100007
	Rated Current	15/25A
	Rated Voltage	12V
	Number of Pins	5P
	Function	Changeover
	Resistor	X
	Diode	X
	Mounting bracket	X
	Details	Sealed
	OE	
Wiring Diagram		



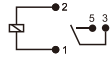
 	Type	AR100008
	Rated Current	15/25A
	Rated Voltage	12V
	Number of Pins	5P
	Function	Changeover
	Resistor	X
	Diode	X
	Mounting bracket	X
	Details	2.8mm Version
	OE	
Wiring Diagram		



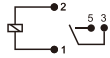
### MICRO RELAYS



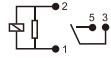
 	Type	AR100009
	Rated Current	15/25A
	Rated Voltage	12V
	Number of Pins	5P
	Function	Changeover
	Resistor	✓
	Diode	X
	Mounting bracket	X
	Details	X
	OE	BOSCH 0 332 201 107 HELLA 4RD 007 814-011
Wiring Diagram		


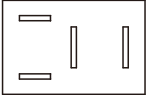
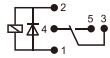
 	Type	AR100010
	Rated Current	15/25A
	Rated Voltage	12V
	Number of Pins	5P
	Function	Changeover
	Resistor	X
	Diode	✓
	Mounting bracket	X
	Details	Sealed
	OE	BOSCH 0 332 207 104 RENAULT 77 00 414 484
Wiring Diagram		



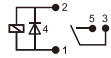
 	Type	AR100011
	Rated Current	15A
	Rated Voltage	24V
	Number of Pins	4P
	Function	Normally open
	Resistor	X
	Diode	X
	Mounting bracket	X
	Details	X
	OE	
Wiring Diagram		


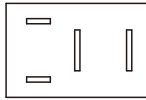
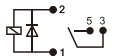
 	Type	AR100012
	Rated Current	15A
	Rated Voltage	24V
	Number of Pins	4P
	Function	Normally open
	Resistor	X
	Diode	X
	Mounting bracket	X
	Details	2.8mm Version
	OE	
Wiring Diagram		




 	Type	AR100013
	Rated Current	15A
	Rated Voltage	24V
	Number of Pins	4P
	Function	Normally open
	Resistor	X
	Diode	X
	Mounting bracket	X
	Details	Sealed, 2.8mm Version
	OE	
Wiring Diagram		




 	Type	AR100014
	Rated Current	10A
	Rated Voltage	24V
	Number of Pins	4P
	Function	Normally open
	Resistor	✓
	Diode	X
	Mounting bracket	X
	Details	X
	OE	
Wiring Diagram		



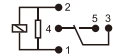
 	Type	AR100015
	Rated Current	10A
	Rated Voltage	24V
	Number of Pins	4P
	Function	Normally open
	Resistor	X
	Diode	✓
	Mounting bracket	X
	Details	Sealed
	OE	
Wiring Diagram		


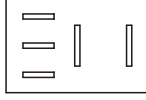
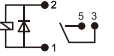
 	Type	AR100016
	Rated Current	15A
	Rated Voltage	24V
	Number of Pins	4P
	Function	Normally open
	Resistor	X
	Diode	✓
	Mounting bracket	X
	Details	2.8mm Version
	OE	
Wiring Diagram		

 	Type	AR100017
	Rated Current	15A
	Rated Voltage	24V
	Number of Pins	4P
	Function	Normally open
	Resistor	X
	Diode	✓
	Mounting bracket	X
	Details	Sealed 2.8mm Version
	OE	
Wiring Diagram		

 	Type	AR100018
	Rated Current	10/15A
	Rated Voltage	24V
	Number of Pins	5P
	Function	Changeover
	Resistor	X
	Diode	X
	Mounting bracket	X
	Details	Sealed
	OE	
Wiring Diagram		


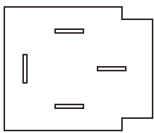
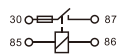
 	Type	AR100019
	Rated Current	5/10A
	Rated Voltage	24V
	Number of Pins	5P
	Function	Changeover
	Resistor	X
	Diode	X
	Mounting bracket	X
	Details	2.8mm Version
	OE	
Wiring Diagram		


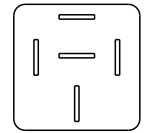

 	Type	AR100020
	Rated Current	5/10A
	Rated Voltage	24V
	Number of Pins	5P
	Function	Changeover
	Resistor	✓
	Diode	X
	Mounting bracket	X
	Details	Sealed
	OE	
Wiring Diagram		


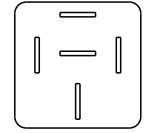
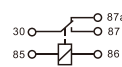
 	Type	AR100021
	Rated Current	10/15A
	Rated Voltage	24V
	Number of Pins	5P
	Function	Changeover
	Resistor	X
	Diode	✓
	Mounting bracket	X
	Details	Sealed
	OE	
Wiring Diagram		


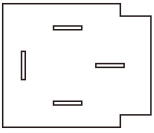
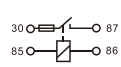



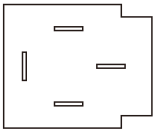
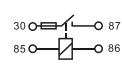
## MINI RELAYS


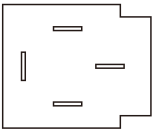
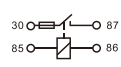
 	Type	AR200001
	Rated Current	15A
	Rated Voltage	6V
	Number of Pins	4P
	Function	Normally open
	Resistor	X
	Diode	X
	Mounting bracket	✓
	Details	ATO Fuse
	OE	
Wiring Diagram		


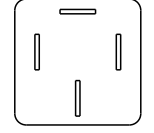
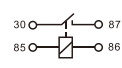
 	Type	AR200002
	Rated Current	40A
	Rated Voltage	6V
	Number of Pins	5P
	Function	Normally open
	Resistor	X
	Diode	X
	Mounting bracket	✓
	Details	2x87
	OE	
Wiring Diagram		


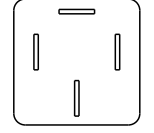
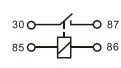
 	Type	AR200003
	Rated Current	30/40A
	Rated Voltage	6V
	Number of Pins	5P
	Function	Changeover
	Resistor	X
	Diode	X
	Mounting bracket	✓
	Details	
	OE	
Wiring Diagram		


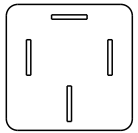
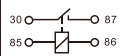
 	Type	AR200004
	Rated Current	15A
	Rated Voltage	12V
	Number of Pins	4P
	Function	Normally open
	Resistor	X
	Diode	X
	Mounting bracket	✓
	Details	ATO Fuse
	OE	
Wiring Diagram		


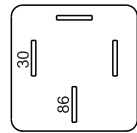
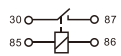
 	Type	AR200005
	Rated Current	20A
	Rated Voltage	12V
	Number of Pins	4P
	Function	Normally open
	Resistor	X
	Diode	X
	Mounting bracket	✓
	Details	ATO Fuse
	OE	
Wiring Diagram		


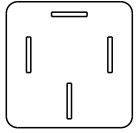

 	Type	AR100006
	Rated Current	30A
	Rated Voltage	12V
	Number of Pins	4P
	Function	Normally open
	Resistor	X
	Diode	X
	Mounting bracket	✓
	Details	
	OE	
Wiring Diagram		


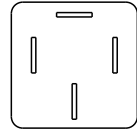
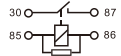
 	Type	AR100007
	Rated Current	30A
	Rated Voltage	12V
	Number of Pins	4P
	Function	Normally open
	Resistor	X
	Diode	X
	Mounting bracket	✓
	Details	X
	OE	FORD 6193228 HELLA 4RA003510-082
Wiring Diagram		


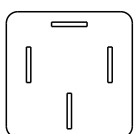

 	Type	AR100008
	Rated Current	40A
	Rated Voltage	12V
	Number of Pins	4P
	Function	Normally open
	Resistor	X
	Diode	X
	Mounting bracket	✓
	Details	X
	OE	BOSCH 0 332 019 157 HELLA 4RA003510-111
Wiring Diagram		


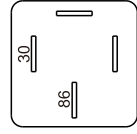
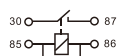
 	Type	AR200009
	Rated Current	40A
	Rated Voltage	12V
	Number of Pins	4P
	Function	Normally open
	Resistor	X
	Diode	X
	Mounting bracket	X
	Details	X
	OE	NAGARES RLPS/4-12
Wiring Diagram		


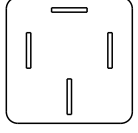

 	Type	AR200010
	Rated Current	30A
	Rated Voltage	12V
	Number of Pins	4P
	Function	Normally open
	Resistor	X
	Diode	X
	Mounting bracket	✓
	Details	Swapped Pins 30 & 86
	OE	VOLVO 2813702 BMW 61 31 1 353 789
Wiring Diagram		


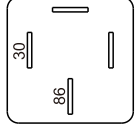
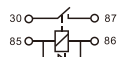
 	Type	AR200011
	Rated Current	30A
	Rated Voltage	12V
	Number of Pins	4P
	Function	Normally open
	Resistor	✓
	Diode	X
	Mounting bracket	X
	Details	Sealed
	OE	
Wiring Diagram		

 	Type	AR200012
	Rated Current	40A
	Rated Voltage	12V
	Number of Pins	4P
	Function	Normally open
	Resistor	✓
	Diode	X
	Mounting bracket	✓
	Details	X
	OE	BOSCH 0 332 014 106 FIAT 500 3419 25
Wiring Diagram		


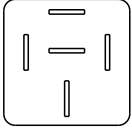

 	Type	AR200013
	Rated Current	40A
	Rated Voltage	12V
	Number of Pins	4P
	Function	Normally open
	Resistor	✓
	Diode	X
	Mounting bracket	X
	Details	X
	OE	HELLA 4RA 007 791-011
Wiring Diagram		


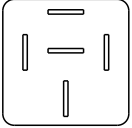
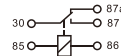
 	Type	AR200014
	Rated Current	30A
	Rated Voltage	12V
	Number of Pins	4P
	Function	Normally open
	Resistor	✓
	Diode	X
	Mounting bracket	X
	Details	Sealed Swapped Pins 30 & 86
	OE	BOSCH 0 332 014 457 FORD 6015107
Wiring Diagram		


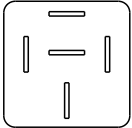

 	Type	AR200015
	Rated Current	40A
	Rated Voltage	12V
	Number of Pins	4P
	Function	Normally open
	Resistor	X
	Diode	✓
	Mounting bracket	✓
	Details	X
	OE	HELLA 4RA 933 332-221
Wiring Diagram		


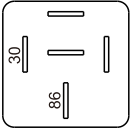
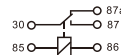
 	Type	AR200016
	Rated Current	15/25A
	Rated Voltage	12V
	Number of Pins	5P
	Function	Changeover
	Resistor	X
	Diode	X
	Mounting bracket	X
	Details	Swapped Pins 30 & 86
	OE	
Wiring Diagram		


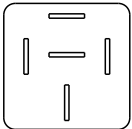

## MINI RELAYS


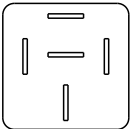
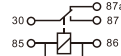
 	Type	AR200017
	Rated Current	30/40A
	Rated Voltage	12V
	Number of Pins	5P
	Function	Changeover
	Resistor	X
	Diode	X
	Mounting bracket	X
	Details	X
	OE	BOSCH 0 986 AH0 151 HELLA 4RD 933 332- 051
Wiring Diagram		


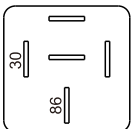

 	Type	AR200018
	Rated Current	30/40A
	Rated Voltage	12V
	Number of Pins	5P
	Function	Changeover
	Resistor	X
	Diode	X
	Mounting bracket	✓
	Details	X
	OE	BOSCH 0 332 204 101 HELLA 4RD 933 332- 011
Wiring Diagram		


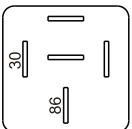

 	Type	AR200019
	Rated Current	30/40A
	Rated Voltage	12V
	Number of Pins	5P
	Function	Changeover
	Resistor	X
	Diode	X
	Mounting bracket	X
	Details	Sealed
	OE	HELLA 4RD 933 332- 051
Wiring Diagram		


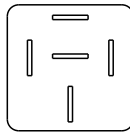
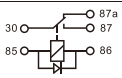
 	Type	AR200020
	Rated Current	20/30A
	Rated Voltage	12V
	Number of Pins	5P
	Function	Changeover
	Resistor	X
	Diode	X
	Mounting bracket	✓
	Details	Swapped Pins 30 & 86
	OE	BOSCH 0 332 204 402 FORD 71BG10B926AA
Wiring Diagram		


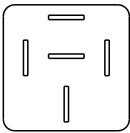
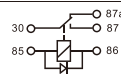
 	Type	AR200021
	Rated Current	20/30A
	Rated Voltage	12V
	Number of Pins	5P
	Function	Changeover
	Resistor	✓
	Diode	X
	Mounting bracket	X
	Details	Sealed
	OE	BOSCH 0 332 209 137 HELLA 4RD 007 794-021
Wiring Diagram		


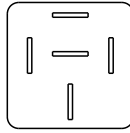
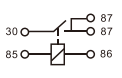
 	Type	AR200022
	Rated Current	30/40A
	Rated Voltage	12V
	Number of Pins	5P
	Function	Changeover
	Resistor	✓
	Diode	X
	Mounting bracket	✓
	Details	X
	OE	
Wiring Diagram		


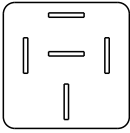

 	Type	AR200023
	Rated Current	20/30A
	Rated Voltage	12V
	Number of Pins	5P
	Function	Changeover
	Resistor	✓
	Diode	X
	Mounting bracket	X
	Details	Sealed Swapped Pins 30 & 86
	OE	
Wiring Diagram		


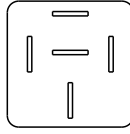
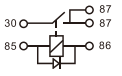
 	Type	AR200024
	Rated Current	30/40A
	Rated Voltage	12V
	Number of Pins	5P
	Function	Changeover
	Resistor	✓
	Diode	X
	Mounting bracket	✓
	Details	Swapped Pins 30 & 86
	OE	
Wiring Diagram		


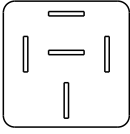
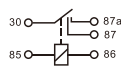
 	Type	AR200025
	Rated Current	30/40A
	Rated Voltage	12V
	Number of Pins	5P
	Function	Changeover
	Resistor	X
	Diode	✓
	Mounting bracket	X
	Details	Sealed
	OE	HELLA 4RD 007 794-041
Wiring Diagram		



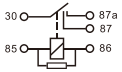
 	Type	AR200026
	Rated Current	30/40A
	Rated Voltage	12V
	Number of Pins	5P
	Function	Changeover
	Resistor	X
	Diode	✓
	Mounting bracket	✓
	Details	X
	OE	BOSCH 0 332 209 135 VW KDWHL09678
Wiring Diagram		


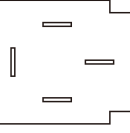
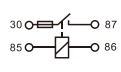
 	Type	AR200027
	Rated Current	40A 2X87
	Rated Voltage	12V
	Number of Pins	5P
	Function	Normally open
	Resistor	X
	Diode	X
	Mounting bracket	✓
	Details	X
	OE	BOSCH 0 332 014 107 HELLA 4RA 933 332-151
Wiring Diagram		

 	Type	AR200028
	Rated Current	40A 2X87
	Rated Voltage	12V
	Number of Pins	5P
	Function	Normally open
	Resistor	✓
	Diode	X
	Mounting bracket	✓
	Details	X
	OE	NAGARES RLP/5-12R
Wiring Diagram		


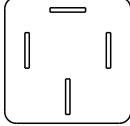
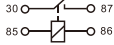
 	Type	AR200029
	Rated Current	40A 2X87
	Rated Voltage	12V
	Number of Pins	5P
	Function	Normally open
	Resistor	X
	Diode	✓
	Mounting bracket	✓
	Details	X
	OE	BOSCH 0 332 014 135 HELLA 4RA 933 791-091
Wiring Diagram		


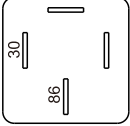

 	Type	AR200030
	Rated Current	2X25A
	Rated Voltage	12V
	Number of Pins	5P
	Function	Normally open
	Resistor	X
	Diode	X
	Mounting bracket	✓
	Details	X
	OE	
Wiring Diagram		


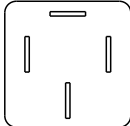

 	Type	AR200031
	Rated Current	2X25A
	Rated Voltage	12V
	Number of Pins	5P
	Function	Normally open
	Resistor	✓
	Diode	X
	Mounting bracket	✓
	Details	X
	OE	NAGARES RDP/5-12R
Wiring Diagram		


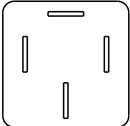

 	Type	AR200032
	Rated Current	15A
	Rated Voltage	24V
	Number of Pins	4P
	Function	Normally open
	Resistor	X
	Diode	X
	Mounting bracket	✓
	Details	ATO Fuse
	OE	
Wiring Diagram		


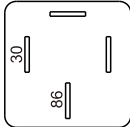

## MINI RELAYS


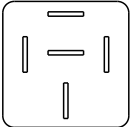

 	Type	AR200033
	Rated Current	20A
	Rated Voltage	24V
	Number of Pins	4P
	Function	Normally open
	Resistor	X
	Diode	X
	Mounting bracket	✓
	Details	X
	OE	BOSCH 0 332 003 012 HELLA 4RA 965 400-031
Wiring Diagram		


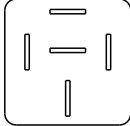

 	Type	AR200034
	Rated Current	20A
	Rated Voltage	24V
	Number of Pins	4P
	Function	Normally open
	Resistor	X
	Diode	X
	Mounting bracket	✓
	Details	Swapped Pins 30 & 86
	OE	BOSCH 0 332 014 408 HELLA 4RA003510-091
Wiring Diagram		


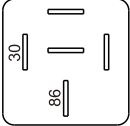

 	Type	AR200035
	Rated Current	20A
	Rated Voltage	24V
	Number of Pins	4P
	Function	Normally open
	Resistor	✓
	Diode	X
	Mounting bracket	X
	Details	Sealed
	OE	FORD 81DB15K235 HELLA 4RA 007 957-001
Wiring Diagram		


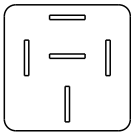
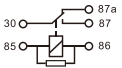
 	Type	AR200036
	Rated Current	20A
	Rated Voltage	24V
	Number of Pins	4P
	Function	Normally open
	Resistor	X
	Diode	✓
	Mounting bracket	✓
	Details	X
	OE	NAGARES RLP/4-24D
Wiring Diagram		


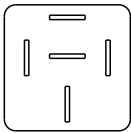
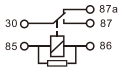
 	Type	AR200037
	Rated Current	30A
	Rated Voltage	24V
	Number of Pins	4P
	Function	Normally open
	Resistor	X
	Diode	✓
	Mounting bracket	✓
	Details	Swapped Pins 30 & 86
	OE	
Wiring Diagram		


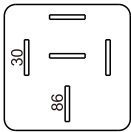
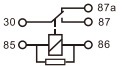
 	Type	AR200038
	Rated Current	10/20A
	Rated Voltage	24V
	Number of Pins	5P
	Function	Changeover
	Resistor	X
	Diode	X
	Mounting bracket	✓
	Details	X
	OE	BOSCH 0 332 200 014 BMW 2010080
Wiring Diagram		


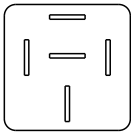
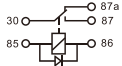
 	Type	AR200039
	Rated Current	10/20A
	Rated Voltage	24V
	Number of Pins	5P
	Function	Changeover
	Resistor	X
	Diode	X
	Mounting bracket	X
	Details	Sealed
	OE	
Wiring Diagram		


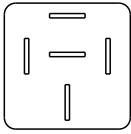
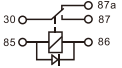
 	Type	AR200040
	Rated Current	10/20A
	Rated Voltage	24V
	Number of Pins	5P
	Function	Changeover
	Resistor	X
	Diode	X
	Mounting bracket	✓
	Details	Swapped Pins 30 & 86
	OE	
Wiring Diagram		


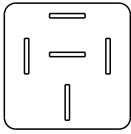
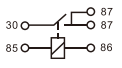
 	Type	AR200041
	Rated Current	10/20A
	Rated Voltage	24V
	Number of Pins	5P
	Function	Changeover
	Resistor	✓
	Diode	X
	Mounting bracket	✓
	Details	X
	OE	BOSCH 0 332 204 206 HELLA 4RD 007 903-011
Wiring Diagram		


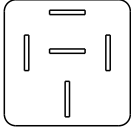
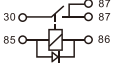
 	Type	AR200042
	Rated Current	10/20A
	Rated Voltage	24V
	Number of Pins	5P
	Function	Changeover
	Resistor	✓
	Diode	X
	Mounting bracket	X
	Details	Sealed
	OE	BOSCH 0 986 AH0 206 HELLA 4RD 007 903-001
Wiring Diagram		


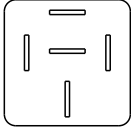
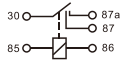
 	Type	AR200043
	Rated Current	10/20A
	Rated Voltage	24V
	Number of Pins	5P
	Function	Changeover
	Resistor	✓
	Diode	X
	Mounting bracket	X
	Details	Sealed Swapped Pins 30 & 86
	OE	
Wiring Diagram		

 	Type	AR200044
	Rated Current	10/20A
	Rated Voltage	24V
	Number of Pins	5P
	Function	Changeover
	Resistor	X
	Diode	✓
	Mounting bracket	✓
	Details	X
	OE	BOSCH 0 332 204 204 HELLA 4RD003520-151
Wiring Diagram		


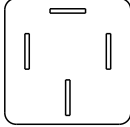
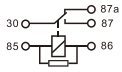
 	Type	AR200045
	Rated Current	10/20A
	Rated Voltage	24V
	Number of Pins	5P
	Function	Changeover
	Resistor	X
	Diode	✓
	Mounting bracket	X
	Details	Sealed
	OE	
Wiring Diagram		


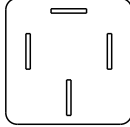
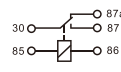
 	Type	AR200046
	Rated Current	20A 2X87
	Rated Voltage	24V
	Number of Pins	5P
	Function	Normally open
	Resistor	X
	Diode	X
	Mounting bracket	✓
	Details	X
	OE	BOSCH 0 332 003 018 HELLA 4RA 933 791-071
Wiring Diagram		


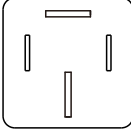

 	Type	AR200047
	Rated Current	20A 2X87
	Rated Voltage	24V
	Number of Pins	5P
	Function	Normally open
	Resistor	X
	Diode	✓
	Mounting bracket	✓
	Details	X
	OE	NAGARES RLP/5-24D
Wiring Diagram		


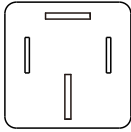

 	Type	AR200048
	Rated Current	2X15A
	Rated Voltage	24V
	Number of Pins	4P
	Function	Normally open
	Resistor	X
	Diode	X
	Mounting bracket	✓
	Details	X
	OE	BOSCH 0 332 004 003
Wiring Diagram		


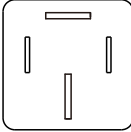

### MINI RELAYS


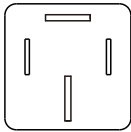

 	Type	AR200049
	Rated Current	2X15A
	Rated Voltage	24V
	Number of Pins	5P
	Function	Normally open
	Resistor	✓
	Diode	X
	Mounting bracket	✓
	Details	X
	OE	NAGRES RDP/5-24R
Wiring Diagram		


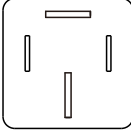

 	Type	AR200050
	Rated Current	5/10A
	Rated Voltage	48V
	Number of Pins	5P
	Function	Changeover
	Resistor	X
	Diode	X
	Mounting bracket	✓
	Details	X
	OE	
Wiring Diagram		


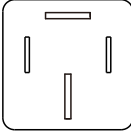

 	Type	AR300001
	Rated Current	70A
	Rated Voltage	12V
	Number of Pins	4P
	Function	Normally open
	Resistor	X
	Diode	X
	Mounting bracket	✓
	Details	X
	OE	HELLA 4RA 003 437-081 VW 433 951 253 B
Wiring Diagram		


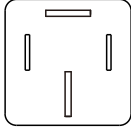

 	Type	AR300002
	Rated Current	70A
	Rated Voltage	12V
	Number of Pins	4P
	Function	Normally open
	Resistor	X
	Diode	X
	Mounting bracket	X
	Details	Sealed
	OE	
Wiring Diagram		


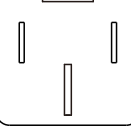
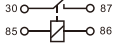
 	Type	AR300003
	Rated Current	70A
	Rated Voltage	12V
	Number of Pins	4P
	Function	Normally open
	Resistor	✓
	Diode	X
	Mounting bracket	✓
	Details	X
	OE	HELLA 4RA 007 793-041
Wiring Diagram		

 	Type	AR300004
	Rated Current	70A
	Rated Voltage	12V
	Number of Pins	4P
	Function	Normally open
	Resistor	✓
	Diode	X
	Mounting bracket	X
	Details	Sealed
	OE	
Wiring Diagram		


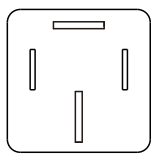

 	Type	AR300005
	Rated Current	70A
	Rated Voltage	12V
	Number of Pins	4P
	Function	Normally open
	Resistor	✓
	Diode	X
	Mounting bracket	X
	Details	X
	OE	BOSCH 0 332 002 192 HELLA 4RA 003 510-021
Wiring Diagram		


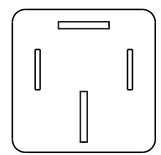
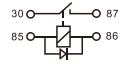
 	Type	AR100006
	Rated Current	70A
	Rated Voltage	12V
	Number of Pins	4P
	Function	Normally open
	Resistor	X
	Diode	✓
	Mounting bracket	✓
	Details	X
	OE	
Wiring Diagram		


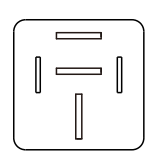

 	Type	AR300007
	Rated Current	70A
	Rated Voltage	12V
	Number of Pins	4P
	Function	Normally open
	Resistor	X
	Diode	✓
	Mounting bracket	X
	Details	Sealed
	OE	
Wiring Diagram		


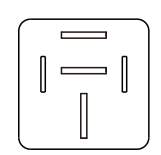

 	Type	AR300008
	Rated Current	100A
	Rated Voltage	12V
	Number of Pins	4P
	Function	Normally open
	Resistor	X
	Diode	X
	Mounting bracket	X
	Details	2.8mm Version
	OE	
Wiring Diagram		


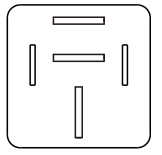

### HD RELAYS


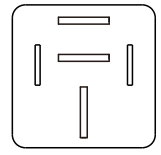

 	Type	AR300009
	Rated Current	100A
	Rated Voltage	12V
	Number of Pins	4P
	Function	Normally open
	Resistor	✓
	Diode	X
	Mounting bracket	X
	Details	Sealed
	OE	
Wiring Diagram		


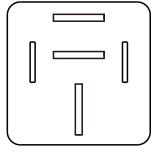
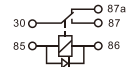
 	Type	AR300010
	Rated Current	100A
	Rated Voltage	12V
	Number of Pins	4P
	Function	Normally open
	Resistor	X
	Diode	✓
	Mounting bracket	X
	Details	Sealed
	OE	
Wiring Diagram		


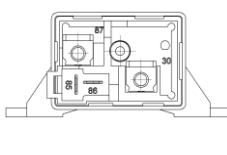
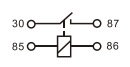
 	Type	AR300011
	Rated Current	60/70A
	Rated Voltage	12V
	Number of Pins	5P
	Function	Changeover
	Resistor	X
	Diode	X
	Mounting bracket	✓
	Details	X
	OE	NAGARES RLAC/52-12
Wiring Diagram		


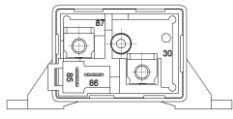
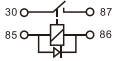
 	Type	AR300012
	Rated Current	60/70A
	Rated Voltage	12V
	Number of Pins	5P
	Function	Changeover
	Resistor	X
	Diode	✓
	Mounting bracket	X
	Details	Sealed
	OE	
Wiring Diagram		


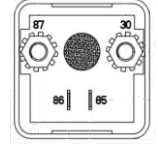
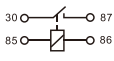
 	Type	AR300013
	Rated Current	80/100A
	Rated Voltage	12V
	Number of Pins	5P
	Function	Changeover
	Resistor	X
	Diode	X
	Mounting bracket	X
	Details	Sealed
	OE	
Wiring Diagram		


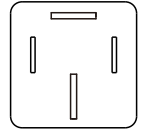
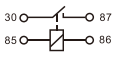
 	Type	AR300014
	Rated Current	80/100A
	Rated Voltage	12V
	Number of Pins	5P
	Function	Changeover
	Resistor	✓
	Diode	X
	Mounting bracket	X
	Details	Sealed
	OE	
Wiring Diagram		


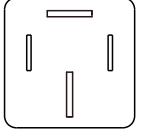
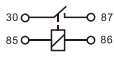
 	Type	AR300015
	Rated Current	80/100A
	Rated Voltage	12V
	Number of Pins	5P
	Function	Changeover
	Resistor	X
	Diode	✓
	Mounting bracket	X
	Details	Sealed
	OE	
Wiring Diagram		


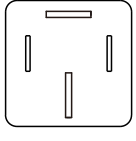
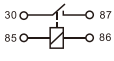
 	Type	AR300016
	Rated Current	75A
	Rated Voltage	12V
	Number of Pins	Screwed Connection
	Function	Normally open
	Resistor	X
	Diode	X
	Mounting bracket	✓
	Details	X
	OE	BOSCH0 332 002 106
Wiring Diagram		


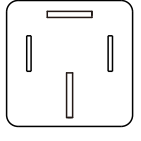
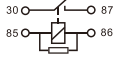
 	Type	AR300017
	Rated Current	75A
	Rated Voltage	12V
	Number of Pins	Screwed Connection
	Function	Normally open
	Resistor	X
	Diode	✓
	Mounting bracket	✓
	Details	X
	OE	
Wiring Diagram		

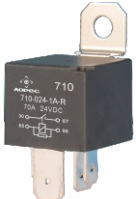
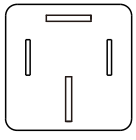
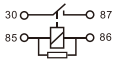
 	Type	AR300018
	Rated Current	100A
	Rated Voltage	12V
	Number of Pins	2P
	Function	X
	Resistor	X
	Diode	X
	Mounting bracket	X
	Details	X
	OE	
Wiring Diagram		


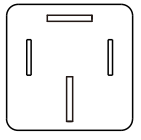
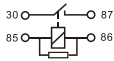
 	Type	AR300019
	Rated Current	40A
	Rated Voltage	24V
	Number of Pins	4P
	Function	Normally open
	Resistor	X
	Diode	X
	Mounting bracket	X
	Details	Sealed
	OE	
Wiring Diagram		

 	Type	AR300020
	Rated Current	40A
	Rated Voltage	24V
	Number of Pins	4P
	Function	Normally open
	Resistor	X
	Diode	X
	Mounting bracket	✓
	Details	X
	OE	NAGARESRLAC/4-24
Wiring Diagram		


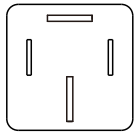
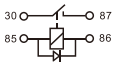
 	Type	AR300021
	Rated Current	70A
	Rated Voltage	12V
	Number of Pins	4P
	Function	Normally open
	Resistor	X
	Diode	X
	Mounting bracket	✓
	Details	X
	OE	HELLA4RA 003 437-091 FORD98CT 15K235AC
Wiring Diagram		


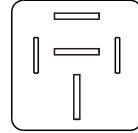
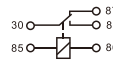
 	Type	AR300022
	Rated Current	40A
	Rated Voltage	24V
	Number of Pins	4P
	Function	Normally open
	Resistor	✓
	Diode	X
	Mounting bracket	X
	Details	Sealed
	OE	
Wiring Diagram		


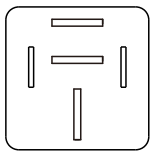
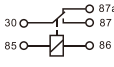
 	Type	AR300023
	Rated Current	70A
	Rated Voltage	12V
	Number of Pins	4P
	Function	Normally open
	Resistor	✓
	Diode	X
	Mounting bracket	✓
	Details	X
	OE	
Wiring Diagram		


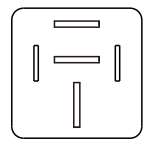
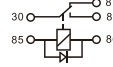
 	Type	AR300024
	Rated Current	70A
	Rated Voltage	24V
	Number of Pins	4P
	Function	Normally open
	Resistor	✓
	Diode	X
	Mounting bracket	X
	Details	X
	OE	
Wiring Diagram		


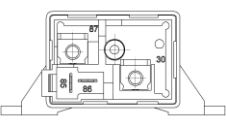
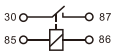
## HD RELAYS


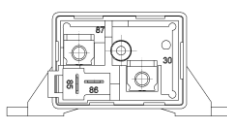
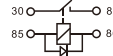
 	Type	AR300025
	Rated Current	40A
	Rated Voltage	24V
	Number of Pins	4P
	Function	Normally open
	Resistor	X
	Diode	✓
	Mounting bracket	X
	Details	Sealed
	OE	NAGARESRLACS/4-24D
Wiring Diagram		


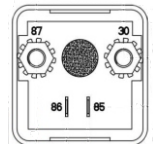
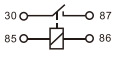
 	Type	AR300026
	Rated Current	30/40A
	Rated Voltage	24V
	Number of Pins	5P
	Function	Changeover
	Resistor	X
	Diode	X
	Mounting bracket	✓
	Details	X
	OE	NAGARESRLAC/52-24
Wiring Diagram		

 	Type	AR300027
	Rated Current	40/50A
	Rated Voltage	24V
	Number of Pins	5P
	Function	Changeover
	Resistor	X
	Diode	X
	Mounting bracket	X
	Details	Sealed
	OE	
Wiring Diagram		


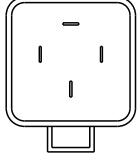

 	Type	AR300028
	Rated Current	30/40A
	Rated Voltage	24V
	Number of Pins	5P
	Function	Changeover
	Resistor	X
	Diode	✓
	Mounting bracket	X
	Details	Sealed
	OE	
Wiring Diagram		


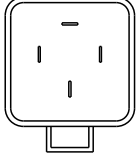

 	Type	AR300029
	Rated Current	50A
	Rated Voltage	24V
	Number of Pins	Screwed Connection
	Function	Normally open
	Resistor	X
	Diode	X
	Mounting bracket	✓
	Details	X
	OE	
Wiring Diagram		


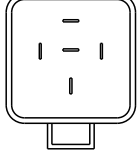
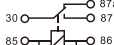
 	Type	AR300030
	Rated Current	50A
	Rated Voltage	24V
	Number of Pins	Screwed Connection
	Function	Normally open
	Resistor	X
	Diode	✓
	Mounting bracket	✓
	Details	X
	OE	
Wiring Diagram		


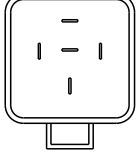
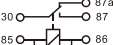
 	Type	AR300031
	Rated Current	60A
	Rated Voltage	24V
	Number of Pins	2P
	Function	X
	Resistor	X
	Diode	X
	Mounting bracket	X
	Details	X
	OE	
Wiring Diagram		


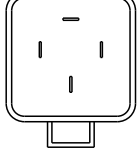
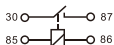



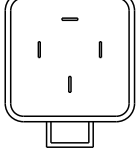

 	Type	AR400001
	Rated Current	40A
	Rated Voltage	12V
	Number of Pins	4P
	Function	Normally open
	Resistor	X
	Diode	X
	Mounting bracket	✓
	Details	with Skirt
	OE	
Wiring Diagram		


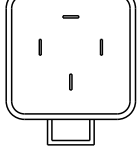

 	Type	AR400002
	Rated Current	40A
	Rated Voltage	12V
	Number of Pins	4P
	Function	Normally open
	Resistor	✓
	Diode	X
	Mounting bracket	✓
	Details	with Skirt
	OE	
Wiring Diagram		


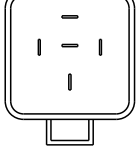

 	Type	AR400003
	Rated Current	30/40A
	Rated Voltage	12V
	Number of Pins	5P
	Function	Changeover
	Resistor	✓
	Diode	X
	Mounting bracket	✓
	Details	with Skirt
	OE	
Wiring Diagram		

 	Type	AR400004
	Rated Current	30/40A
	Rated Voltage	12V
	Number of Pins	5P
	Function	Changeover
	Resistor	X
	Diode	✓
	Mounting bracket	✓
	Details	with Skirt
	OE	
Wiring Diagram		


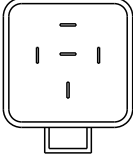
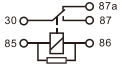
 	Type	AR400005
	Rated Current	20A
	Rated Voltage	24V
	Number of Pins	4P
	Function	Normally open
	Resistor	X
	Diode	X
	Mounting bracket	✓
	Details	with Skirt
	OE	
Wiring Diagram		


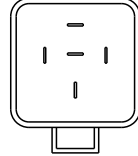
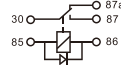
 	Type	AR400006
	Rated Current	20A
	Rated Voltage	24V
	Number of Pins	4P
	Function	Normally open
	Resistor	✓
	Diode	X
	Mounting bracket	✓
	Details	with Skirt
	OE	
Wiring Diagram		


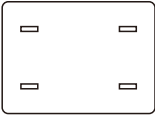

 	Type	AR400007
	Rated Current	20A
	Rated Voltage	24V
	Number of Pins	4P
	Function	Normally open
	Resistor	X
	Diode	✓
	Mounting bracket	✓
	Details	with Skirt
	OE	
Wiring Diagram		


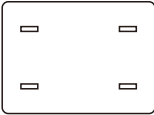

 	Type	AR400008
	Rated Current	10/20A
	Rated Voltage	24V
	Number of Pins	5P
	Function	Changeover
	Resistor	X
	Diode	X
	Mounting bracket	✓
	Details	with Skirt
	OE	
Wiring Diagram		


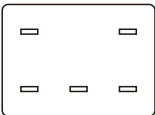

## SKIRTED RELAYS


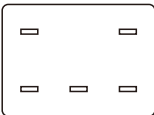
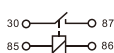
 	Type	AR400009
	Rated Current	10/20A
	Rated Voltage	24V
	Number of Pins	5P
	Function	Changeover
	Resistor	X
	Diode	✓
	Mounting bracket	X
	Details	with Skirt
	OE	
Wiring Diagram		


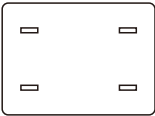
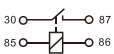
 	Type	Ar400010
	Rated Current	10/20A
	Rated Voltage	24V
	Number of Pins	5P
	Function	Changeover
	Resistor	X
	Diode	✓
	Mounting bracket	✓
	Details	with Skirt
	OE	
Wiring Diagram		


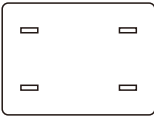
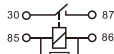
 	Type	AR500001
	Rated Current	20A
	Rated Voltage	12V
	Number of Pins	4P
	Function	Normally open
	Resistor	X
	Diode	X
	Mounting bracket	X
	Details	4x2.8mm terminals
	OE	
Wiring Diagram		


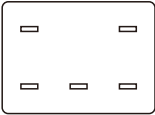
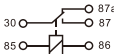
 	Type	AR500002
	Rated Current	20A
	Rated Voltage	12V
	Number of Pins	4P
	Function	Normally open
	Resistor	✓
	Diode	X
	Mounting bracket	X
	Details	4x2.8mm terminals
	OE	
Wiring Diagram		


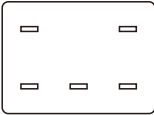
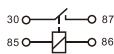
 	Type	AR500003
	Rated Current	10/20A
	Rated Voltage	12V
	Number of Pins	5P
	Function	Changeover
	Resistor	X
	Diode	X
	Mounting bracket	X
	Details	5x2.8mm terminals
	OE	
Wiring Diagram		

 	Type	AR500004
	Rated Current	10/20A
	Rated Voltage	12V
	Number of Pins	5P
	Function	Changeover
	Resistor	✓
	Diode	X
	Mounting bracket	X
	Details	5x2.8mm terminals
	OE	
Wiring Diagram		

 	Type	AR500005
	Rated Current	15A
	Rated Voltage	24V
	Number of Pins	4P
	Function	Normally open
	Resistor	X
	Diode	X
	Mounting bracket	X
	Details	4x2.8mm terminals
	OE	
Wiring Diagram		


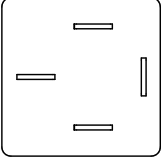
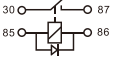
 	Type	AR500006
	Rated Current	15A
	Rated Voltage	24V
	Number of Pins	4P
	Function	Normally open
	Resistor	✓
	Diode	X
	Mounting bracket	X
	Details	4x2.8mm terminals
	OE	
Wiring Diagram		



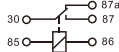
 	Type	AR500007
	Rated Current	5/15A
	Rated Voltage	24V
	Number of Pins	5P
	Function	Changeover
	Resistor	X
	Diode	X
	Mounting bracket	X
	Details	5x2.8mm terminals
	OE	
Wiring Diagram		


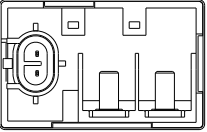

 	Type	AR500008
	Rated Current	5/15A
	Rated Voltage	24V
	Number of Pins	5P
	Function	Changeover
	Resistor	✓
	Diode	X
	Mounting bracket	X
	Details	5x2.8mm terminals
	OE	
Wiring Diagram		


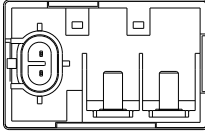
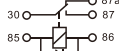
# SOLID-STATE RELAYS


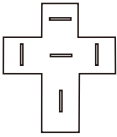



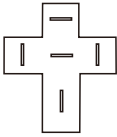
 	Type	AR600001
	Rated Current	30A
	Rated Voltage	12V
	Number of Pins	4P
	Function	Normally open
	Resistor	X
	Diode	X
	Mounting bracket	X
	Details	X
	OE	HELLA 4RA 007 865-031
Wiring Diagram		


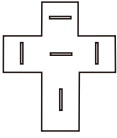
 	Type	AR600002
	Rated Current	10A
	Rated Voltage	12V
	Number of Pins	4P
	Function	Normally open
	Resistor	X
	Diode	X
	Mounting bracket	X
	Details	X
	OE	
Wiring Diagram		


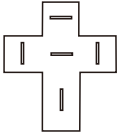
 	Type	AR600003
	Rated Current	300A
	Rated Voltage	12V
	Number of Pins	2P
	Function	AMP SUPERSEAL 1.5 SERIES 282080-1, 2*M6
	Resistor	X
	Diode	✓
	Mounting bracket	✓
	Details	Sealed
	OE	
Wiring Diagram		


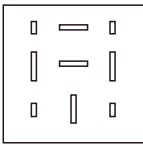
 	Type	AR600004
	Rated Current	120A
	Rated Voltage	24V
	Number of Pins	2P
	Function	AMP SUPERSEAL 1.5 SERIES 282080-1, 2*M6
	Resistor	✓
	Diode	X
	Mounting bracket	✓
	Details	Sealed
	OE	
Wiring Diagram		


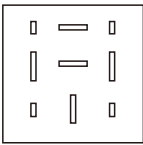
 	Type	AS100001
	Technical Details	For mini-relays 5x6,3mm
	Terminal arrangement	5-pole
	Mounting bracket	X
	Details	Without fixation
	OE	BOSCH 3 334 485 007 HELLA 8JA 715 606-001


 	Type	AS100002
	Technical Details	For mini-relays 5x6,3mm
	Terminal arrangement	5-pole
	Mounting bracket	X
	Details	X
	OE	BOSCH 3 334 485 010 HELLA 8JA717291-007


 	Type	AS100003
	Technical Details	For mini-relays 5x6,3mm
	Terminal arrangement	5-pole
	Mounting bracket	X
	Details	X
	OE	BOSCH 8JA 717 291-007

 	Type	AS100004
	Technical Details	For mini-relays 5x6,3mm
	Terminal arrangement	5-pole
	Mounting bracket	X
	Details	X
	OE	BOSCH 8JD 733 963-001


 	Type	AS100005
	Technical Details	For mini-relays 5x6,3mm 4x2,8mm
	Terminal arrangement	9-pole
	Mounting bracket	✓
	Details	X
	OE	BOSCH 3 334 485 008 HELLA 8JA 003 526-001


 	Type	AS100006
	Technical Details	For mini-relays 3x6,3mm 2x9,5mm 4x2,8mm
	Terminal arrangement	9-pole
	Mounting bracket	✓
	Details	X
	OE	BOSCH 8JA 183 161-002


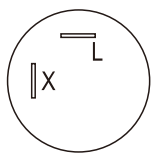

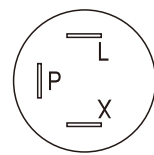

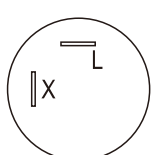

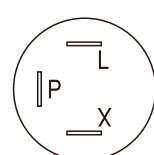

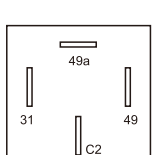

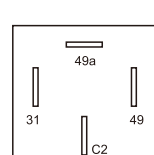

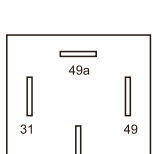

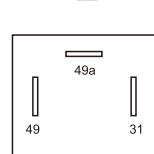
	Type	AS100007
	Technical Details	For micro-relay 2x6,3mm 3x4,8mm
	Terminal arrangement	5-pole
	Mounting bracket	X
	Details	Without fixation
	OE	BOSCH 3 334 485 046

	Type	AS100008
	Technical Details	For micro-relays 2x6,3mm 3x4,8mm
	Terminal arrangement	5-pole
	Mounting bracket	✓
	Details	X
	OE	BOSCH 3 334 485 045 HELLA 8JD733767-001


## SOCKETS

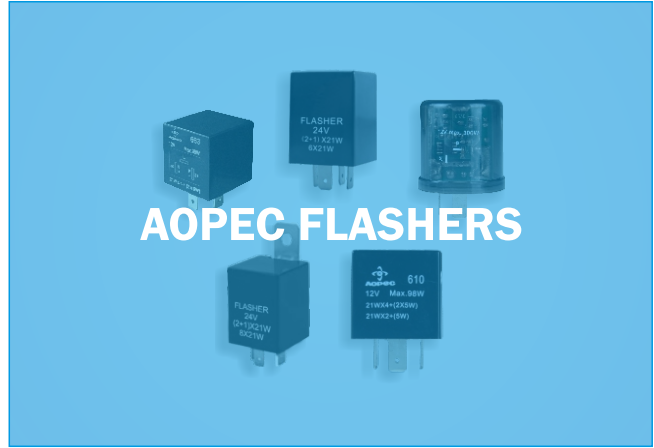
	Type	AS100009
	Technical Details	For HD-relays 2x9,5mm 3x6,3mm 4x2,8mm
	Terminal arrangement	9-pole
	Mounting bracket	✓
	Details	X
	OE	MAN 8125435-0500 Volvo 28015029

	Type	AS100010
	Technical Details	For relays with skirt socket with wires
	Terminal arrangement	5-pole
	Mounting bracket	X
	Details	Without fixation
	OE	

 	Type	AF100001	 	Type	AF100002
	Rated Voltage	12V		Rated Voltage	12V
	Switching Capacity [W]	Max. 300W		Switching Capacity [W]	Max. 300W
	Number of Poles	2P		Number of Poles	3P
	Mounting bracket	X		Mounting bracket	X
	Details	X		Details	X
	OE	NAGARES ITH-2		OE	NAGARES ITH-3
 	Type	AF100003	 	Type	AF100004
	Rated Voltage	24V		Rated Voltage	24V
	Switching Capacity [W]	Max. 150W		Switching Capacity [W]	Max. 150W
	Number of Poles	2P		Number of Poles	3P
	Mounting bracket	X		Mounting bracket	X
	Details	X		Details	X
	OE			OE	
 	Type	AF100005	 	Type	AF100006
	Rated Voltage	24V		Rated Voltage	12V
	Switching Capacity [W]	(2+1)X21W 6X21W		Switching Capacity [W]	(2+1)X21W 6X21W
	Number of Poles	4P		Number of Poles	4P
	Mounting bracket	X		Mounting bracket	✓
	Details	Lamp Failure		Details	Lamp Failure
	OE			OE	
 	Type	AF100007	 	Type	AF100008
	Rated Voltage	24V		Rated Voltage	12V
	Switching Capacity [W]	(2+1)X21W 8X21W		Switching Capacity [W]	4X21W+2X5W
	Number of Poles	4P		Number of Poles	3P
	Mounting bracket	✓		Mounting bracket	X
	Details	Lamp Failure		Details	Max.98W, Alarm
	OE	NAGARES ITGS/4-24		OE	

# FLASHERS

	Type	AF100009
	Rated Voltage	12V
	Switching Capacity [W]	4X21W+2X5W
	Number of Poles	3P
	Mounting bracket	X
	Details	Max.98W,No Alarm
	OE	



	Type	BI100001
	Rated Current	140A
	Rated Voltage	12V
	Cut in Voltage	13.3V
	Cut out Voltage	12.8V
	Gap Current	170A
	Details	X
	Accessories	X
R12140B		

	Type	BI100002
	Rated Current	140A
	Rated Voltage	12V
	Cut in Voltage	13.3V
	Cut out Voltage	12.65V
	Gap Current	170A
	Details	X
	Accessories	X
R12140B-1		

	Type	BI100003
	Rated Current	140A
	Rated Voltage	12V
	Cut in Voltage	13.7V
	Cut out Voltage	12.8V
	Gap Current	170A
	Details	X
	Accessories	X
R12140A		


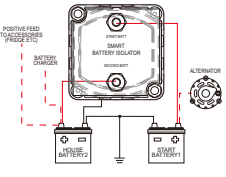
	Type	BI100004
	Rated Current	140A
	Rated Voltage	12V
	Cut in Voltage	13.7V
	Cut out Voltage	12.8V
	Gap Current	170A
	Details	With urgent switch
	Accessories	X
R12140C		


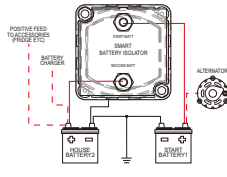
	Type	BI100005
	Rated Current	140A
	Rated Voltage	12V
	Cut in Voltage	13.2V
	Cut out Voltage	12.8V
	Gap Current	170A
	Details	X
	Accessories	X
R12140E		


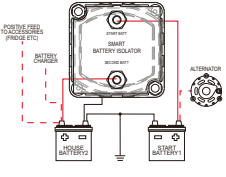
	Type	BI100006
	Rated Current	100A
	Rated Voltage	24V
	Cut in Voltage	27.4V
	Cut out Voltage	25.6V
	Gap Current	140A
	Details	X
	Accessories	X
R24100A		

	Type	BI100007
	Rated Current	100A
	Rated Voltage	24V
	Cut in Voltage	26.6V
	Cut out Voltage	25.6V
	Gap Current	140A
	Details	X
	Accessories	X
R24100B		

	Type	BI100008
	Rated Current	140A
	Rated Voltage	12V
	Cut in Voltage	13.3V
	Cut out Voltage	12.8V
	Gap Current	170A
	Details	ATV Kits
	Accessories	✓
R12140B		

 	Type	BI100009
	Rated Current	140A
	Rated Voltage	12V
	Cut in Voltage	13.3V
	Cut out Voltage	12.8V
	Gap Current	170A
	Details	DBK Kits
	Accessories	✓
R12140B		


 	Type	Bi100010
	Rated Current	200A
	Rated Voltage	12V
	Cut in Voltage	13.3V
	Cut out Voltage	12.8V
	Gap Current	200A
	Details	X
	Accessories	X
R12200A		


 	Type	Bi100011
	Rated Current	300A
	Rated Voltage	12V
	Cut in Voltage	13.3V
	Cut out Voltage	12.8V
	Gap Current	300A
	Details	X
	Accessories	X
R12300A		





# AOPEC

## BATTERY CHARGER

	Type	BC100001
	Output Current	0.75A MAX
	Charging Voltage	14.4VDC
	Input Voltage	120VAC
	Input Frequency	50/60Hz
	Dimensions(inch) Operating	4.02*1.97*1.22
	Temperature	-4°F~104°F
	Details	5-Step charging process
	UL Certification	✓

	Type	BC100002
	Output Current	1.25A MAX
	Charging Voltage	14.4VDC
	Input Voltage	120VAC
	Input Frequency	50/60Hz
	Dimensions(inch) Operating	4.02*1.97*1.22
	Temperature	-4°F~104°F
	Details	5-Step charging process
	UL Certification	✓

	Type	BC100003
	Output Current	2.0A MAX
	Charging Voltage	14.4VDC
	Input Voltage	120VAC
	Input Frequency	50/60Hz
	Dimensions(inch) Operating	4.02*1.97*1.22
	Temperature	-4°F~104°F
	Details	5-Step charging process
	UL Certification	X

	Type	Bc100004
	Output Current	4.0A MAX
	Charging Voltage	14.4VDC
	Input Voltage	120VAC
	Input Frequency	50/60Hz
	Dimensions(inch) Operating	6.36*2.95*1.60
	Temperature	-4°F~104°F
	Details	5-Step charging process
	UL Certification	X

# AOPEC



No.2615 Huanqing Rd.  
Kunshan Suzhou 215300 China



Tel: +86 512 8616 0118  
Fax: +86 512 8616 0078



E-mail: [sales@aopec.com](mailto:sales@aopec.com)

[www.aopec.com](http://www.aopec.com)