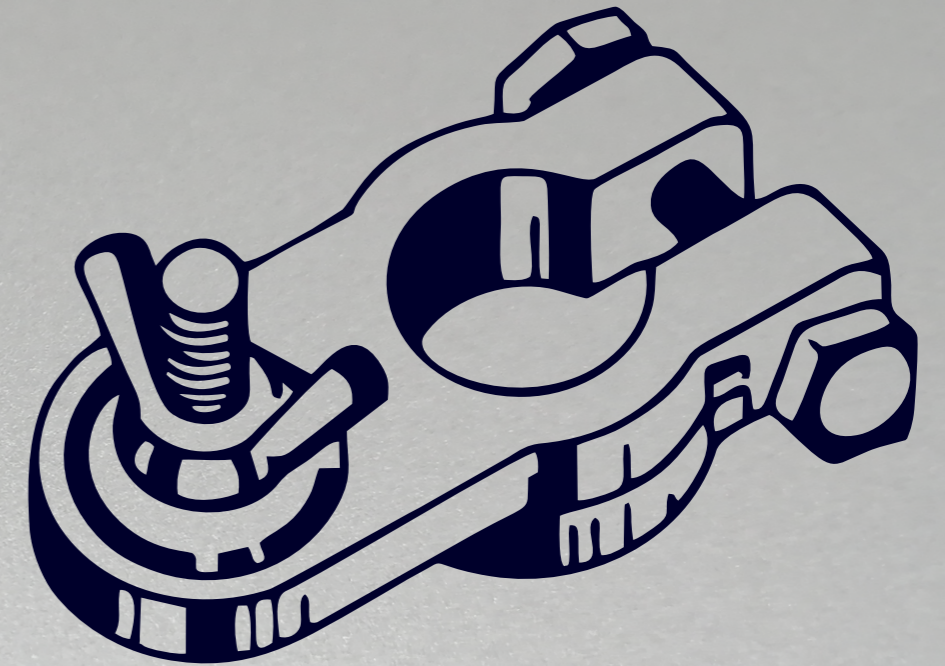



AOPEC

AOPEC
WORDS ON QUALITY




No.2615 Huangqing Rd.
Kunshan Suzhou 215300 China


Tel: +86 512 8616 0118
Fax: +86 512 8616 0078


E-mail: sales@aopec.com



BATTERY ACCESSORIES

www.aopec.com

— 2020 EDITION —



Company Introduction

Aopec is your trustworthy aftermarket supplier and brand partner from China, through its extensive supply chain, complete QC processing and expertise service team!

Aopec is a premium manufacturer both in direct investment and joint ventures for Automotive Electrics in China, since the year of 2002. We are the qualified OE supplier to some car makers and several big brands. TS standardized QC control with the lean manufacturing process makes us a reliable partner with the customers on design, quality, delivery and services.

Aopec is carrying a big range of aftermarket parts, with more than 500 selected suppliers to cooperate and 30 categories, we are providing the one-stop solutions and capable to protect the customers' business properties from IP, Patent Packages, Distribution Network, etc. We are taking the active commercial insurance to cover the customers' concerns and expanding to supply more and more onsite services through the local team in the different countries.

Our SOP (Special Program Management) offers a better solution for different demands and different markets.



A	B	C	C
Battery Accessory	Brass Battery Terminal	Lead Battery Terminal	Zinc Battery Terminal
Page01	Page02	Page03	Page04



Model: BA825

Material: PP

Size of the contour:
34X24.5X27cm

Inside dimension:
26X18X20cm

Weight: 900g



- Dual USB Socket
- Plastic CIG Socket
- Rubber waterproof caps attached to both sockets



- A 2.5mm DC power jack must be fitted. A Plastic Jack is preferred.
- A 10A automotive style circuit breaker must be fitted



Model: BA826

Material: PP

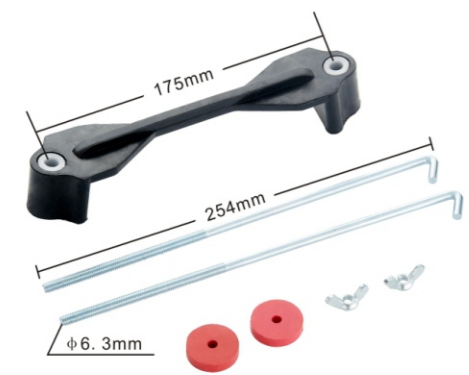
Size of the contour:
44X24.5X27cm

Inside dimension:
35X18X20cm

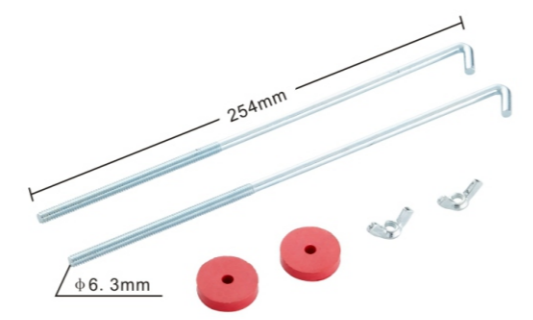
Weight: 1100g



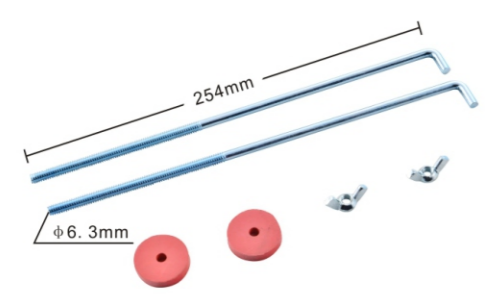
Battery Accessory



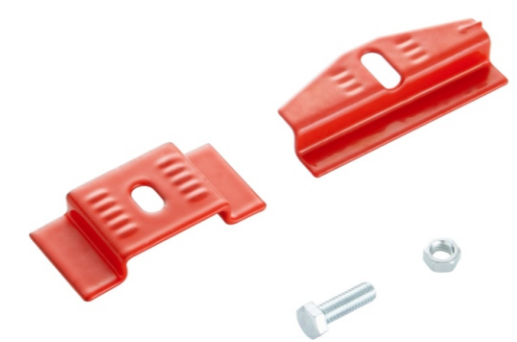
BA810



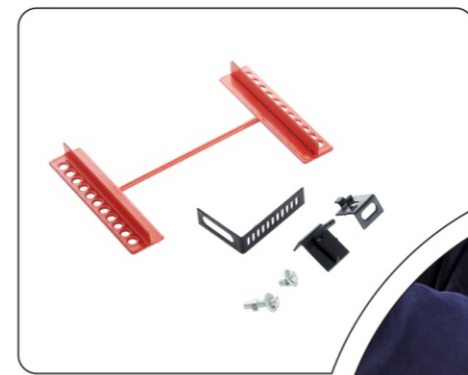
BA811



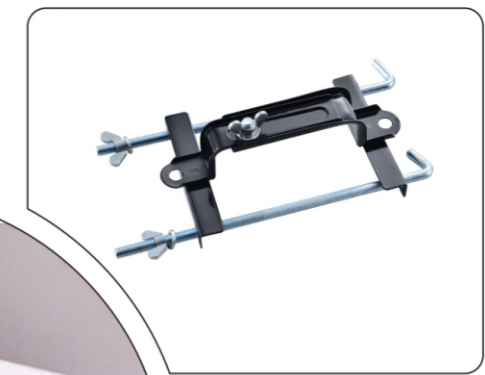
BA812



BA813



BA814



BA835



BA836



BA839



BA815



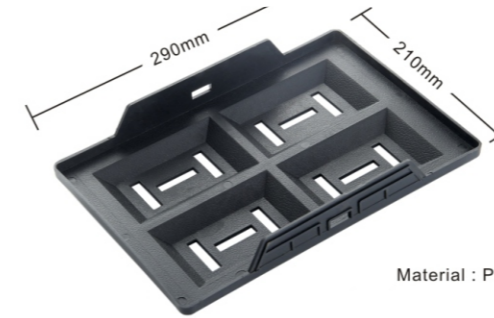
BA816



BA820

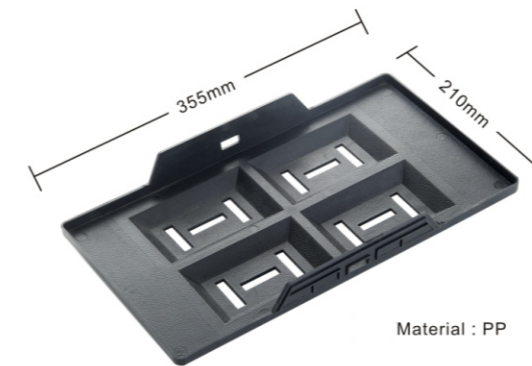


BA821



Material : PP

BA823



Material : PP

BA824



BA818



BA827



BA833



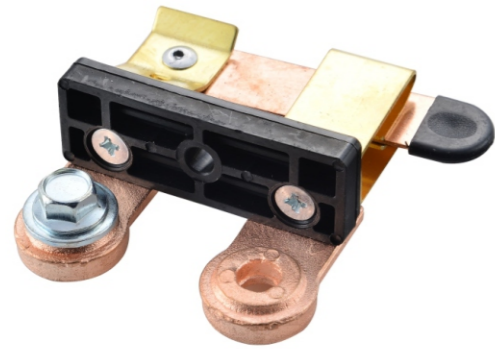
BA834

Battery Switch

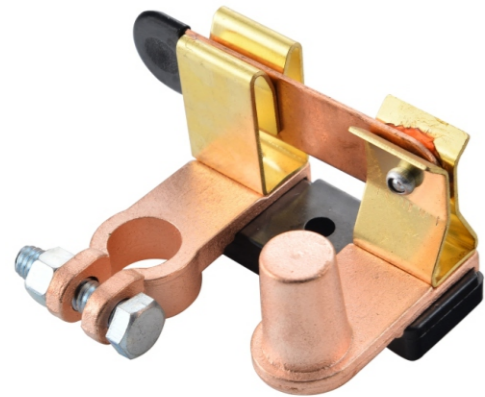
The BA833/BA834 Battery Switch fits top post Batteries.

1. Manufactured of copper-zinc plated steel and brass.
2. Fits side post batteries with standard post adapters.
3. Attach to battery terminal by clamping down of the cap, lift cap to remove from battery terminal.
4. RoHS Compliant, Fits 4 to 6 gauge wires.





BA830



BA831



BA832

Knife-blade Switch

The BA830/BA831/BA832 knife-blade switches. This range gives a very compact, versatile solution.

1. Mount on negative battery post, Disconnect batteries quickly and easily.
2. Stop unwanted battery drain. Help prevent theft, tampering and unauthorized use.
3. Improve safety and security of stored vehicles. RVs and seasonal equipment.



BT203



BT204



BT219



BT220

Main Technical Aata

Part NO.	Used name	Bolt C.	mm ²	Size	Note
BT203	H59	TIN	35-50	19	RoHS
BT204	H59	TIN	35-50	17.5	RoHS
BT219	H59	TIN	35-50	15	RoHS
BT220	H59	TIN	35-50	13	RoHS



Bt235



BT236



BT239



BT240

Main Technical Aata

Part NO.	Used name	Bolt C.	mm ²	Size	Note
BT235	H59	TIN	35-90	19	RoHS
BT236	H59	TIN	35-90	17.5	RoHS
BT239	H59	TIN	35-90	19	RoHS
BT240	H59	TIN	35-90	17.5	RoHS

Brass Battery Terminal



BT245



BT246



BT247



BT248

Main Technical Data

Part NO.	Used name	Bolt C.	mm ²	Size	Note
BT245	H59	TIN	25-35	19	Heavy-Duty
BT246	H59	TIN	25-35	17.5	Heavy-Duty
BT247	H59	TIN	35-50	19	Heavy-Duty
BT248	H59	TIN	35-50	17.5	Heavy-Duty



BT261



BT262



BT263



BT264

Main Technical Data

Part NO.	Used name	Bolt C.	mm ²	Size	Note
BT261	H62	Zinc	35-50	19	RoHS
BT262	H62	Zinc	35-50	17.5	RoHS
BT263	H62	Zinc	50-70	19	RoHS
BT264	H62	Zinc	50-70	17.5	RoHS

Brass Battery Terminal



BT205



BT206



BT207



BT208

Main Technical Data

Part NO.	Used name	Bolt C.	mm ²	Size	Note
BT205	H59	TIN	25-35	19	7.1mm
BT206	H59	TIN	25-35	17.5	7.1mm
BT207	H59	TIN	35-50	19	9.0mm
BT208	H59	TIN	35-50	17.5	9.0mm



BT209



BT210



BT251



BT252

Main Technical Data

Part NO.	Used name	Bolt C.	mm ²	Size	Note
BT209	H59	TIN	50-90	19	12mm
BT210	H59	TIN	50-90	17.5	12mm
BT251	H59	Zinc	35-50	19	9.0mm
BT252	H59	Zinc	35-50	17.5	9.0mm

Brass Battery Terminal



Main Technical Data

Part NO.	Used name	Bolt C.	mm ²	Size	Note
BT227	H59	TIN	25-70	19	Stud M10
BT228	H59	TIN	25-70	17.5	Stud M10
BT227V	H59	TIN	25-70	19	Stud M10
BT228V	H59	TIN	25-70	17.5	Stud M10



Main Technical Data

Part NO.	Used name	Bolt C.	mm ²	Size	Note
BT265	H59	TIN	25-70	19	Stud M8
BT266	H59	TIN	25-70	17.5	Stud M8
BT267	H59	TIN	25-70	19	Stud M10
BT268	H59	TIN	25-70	17.5	Stud M8

Brass Battery Terminal



Main Technical Data

Part NO.	Used name	Bolt C.	mm ²	Size	Note
BT249	H59	Zinc	25-35	19	
BT250	H59	Zinc	25-35	17.5	
BT260	H59	Brass	25-35	18	Universal
BT285	H59	Golden	25-35	18	Universal



Main Technical Data

Part NO.	Used name	Bolt C.	mm ²	Size	Note
BT282	H62	Zinc	25-35	19	Universal
BT280	H62	Zinc	25-35	19	Universal
BT283	H62	Zinc	25-35	19	
BT284	H62	Zinc	25-35	17.5	



Main Technical Data

Part NO.	Used name	Bolt C.	mm ²	Size	Note
BT101	Lead	Zinc	12-25	14	
BT105-90	Lead	Zinc	25-35	18	90g
BT105-100	Lead	Zinc	25-35	18	100g
BT105-110	Lead	Zinc	25-35	18	110g



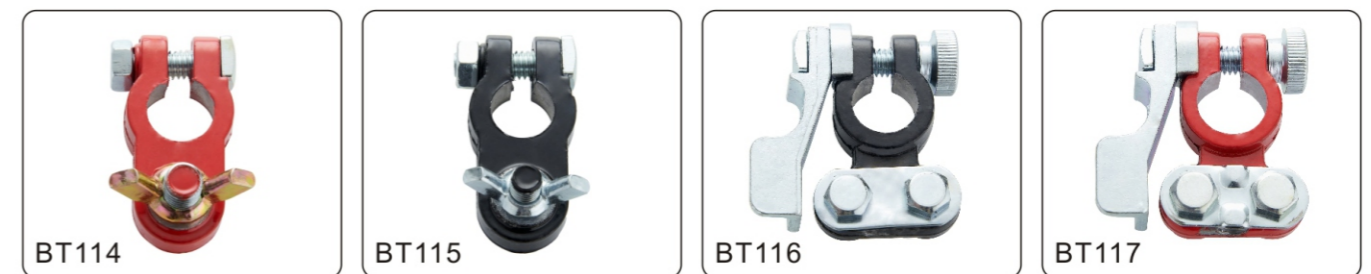
Main Technical Data

Part NO.	Used name	Bolt C.	mm ²	Size	Note
BT106	Lead	Zinc	25-35	19	120g
BT107	Lead	Zinc	25-35	17.5	120g
BT108	Lead	Zinc	25-35	18	Universal
BT136	Lead	Zinc	25-35	18	Universal



Main Technical Data

Part NO.	Used name	Bolt C.	mm ²	Size	Note
BT110	Lead	Zinc	25-35	17.5	100g
BT111	Lead	Zinc	25-35	19	100g
BT112	Lead	Zinc	25-35	17.5	120g
BT113	Lead	Zinc	25-35	19	120g



Main Technical Data

Part NO.	Used name	Bolt C.	mm ²	Size	Note
BT114	Lead	Zinc	25-70	17.5	
BT115	Lead	Zinc	25-70	19	
BT116	Lead	Zinc	25-35	17.5	
BT117	Lead	Zinc	25-35	19	



BT120



BT121



BT130



BT131

Main Technical Data

Part NO.	Used name	Bolt C.	mm ²	Size	Note
BT120	Lead	Zinc	25-35		
BT121	Lead	Zinc	25-35		
BT130	Lead	Zinc	25-50	19	
BT131	Lead	Zinc	25-50	17.5	



BT134



BT135



BT137



BT138

Main Technical Data

Part NO.	Used name	Bolt C.	mm ²	Size	Note
BT134	Lead	Zinc	25-50	17.5	
BT135	Lead	Zinc	25-50	17.5	
BT137	Lead	Zinc	25-50	19	
BT138	Lead	Zinc	25-50	17.5	



BT141



BT142



BT143



BT144

Main Technical Data

Part NO.	Used name	Bolt C.	mm ²	Size	Note
BT141	Lead			19	3/8'Bolt
BT142	Lead			17.5	3/8'Bolt
BT143	Lead			19	3/8'Thread
BT144	Lead			17.5	3/8'Thread



BT140



BT145



BT146



BT147

Main Technical Data

Part NO.	Used name	Bolt C.	mm ²	Size	Note
BT140	Lead			19	0.5mmThin
BT145	Lead			19	
BT146	Lead			17.5	
BT147	Lead				9mm



BT304



BT305



BT306



BT307

Main Technical Data

Part NO.	Used name	Bolt C.	mm ²	Size	Note
BT304	Zinc	Cope	35-50	17.5	
BT305	Zinc	Cope	35-50	19	
BT306	Zinc	Brass	35-50	17.5	
BT307	Zinc	Brass	35-50	19	



BT308



BT309



BT317



BT318

Main Technical Data

Part NO.	Used name	Bolt C.	mm ²	Size	Note
BT308	Zinc	Brass	35-50	17.5	
BT309	Zinc	Brass	35-50	19	
BT317	Zinc	Brass	35-70	19	
BT318	Zinc	Brass	35-70	17.5	



BT302



BT303



BT316



BT317

Main Technical Data

Part NO.	Used name	Bolt C.	mm ²	Size	Note
BT302	Zinc	Brass	25-35	17.5	
BT303	Zinc	Brass	25-35	19	
BT316	Zinc	Zinc	25-50	17.5	
BT317	Zinc	Zinc	35-50	19	



BT312



BT313



BT310



BT311

Main Technical Data

Part NO.	Used name	Bolt C.	mm ²	Size	Note
BT312	Zinc	Brass	35-50	17.5	
BT313	Zinc	Brass	35-50	19	
BT310	Zinc	Brass	35-50	17.5	
BT311	Zinc	Brass	35-50	19	

Zinc Battery Terminal



Main Technical Data

Part NO.	Used name	Bolt C.	mm ²	Size	Note
BT300	Zinc	Cope	15-25	14	
BT301	Zinc	Zinc	25-35	18	
BT314	Zinc	Cope	25-35	18	
BT315	Zinc	Zinc	25-35	18	



Main Technical Data

Part NO.	Used name	Bolt C.	mm ²	Size	Note
BT321	Zinc	Zinc	35-50	18	
BT322	Zinc	Zinc	35-50		
BT322	Zinc	Zinc	35-70	18	
BT324	Zinc	Zinc	35-70	18	

