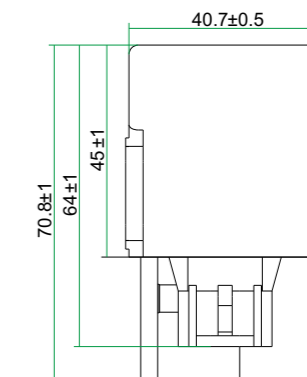
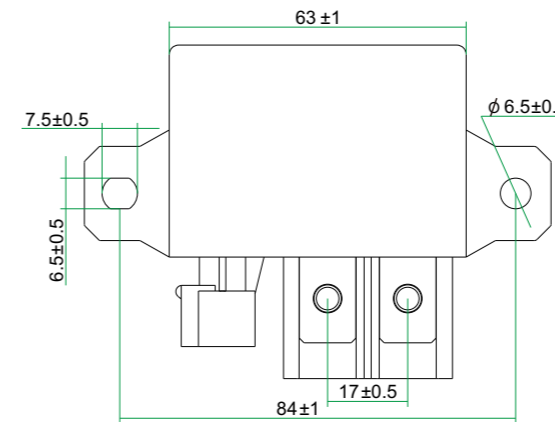
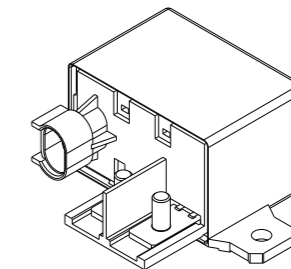
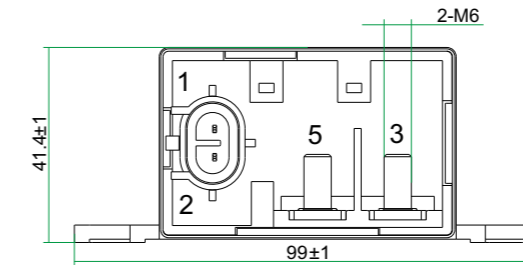




## Automotive Relays



## Automotive Relays 792

High Current Devices



### Outstanding Features

- Limiting continuous current 130A at 85°C
- Current switching ability up to 300A
- Suitable for voltage levels up to 24VDC
- Heat, moisture and vibration resistant
- Minimal contact resistance
- Dustproof and sealed versions

### Contact Data

Contact form	1A / 1 Form A	1A / 1 Form X
Nominal voltage	12Vdc	24Vdc
Rated current	13.5Vdc/150A	27Vdc/120A
Initial contact voltage drop	=200mV/100A	=400mV/100A
Max. switching current (14V)	300A	
Min. load current (12V)	1A	
Max. continuous current	180A @23 °C 130A @85 °C	170A @23 °C 120A @85 °C
Contact material	AgSnO2	
Mechanical life	10 <sup>6</sup> ops	
Electrical life	5x10 <sup>4</sup> ops	

### Coil Data

Type	Nominal voltage (V)	Operate voltage (V)	Release voltage (V)	Coil resistance (Ω)	Consumption (W)	Operating voltage range(V)
Standard	12	3.8~8.0	1.2~5.2	44±10%	4	9~15
	24	7.6~16	2.4~10.4	178±10%	4	18~30

## APPLICATIONS

